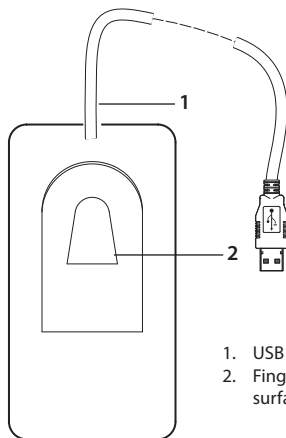
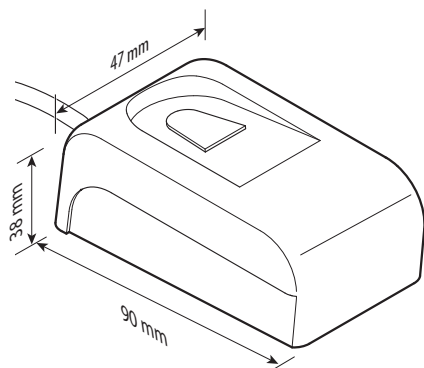
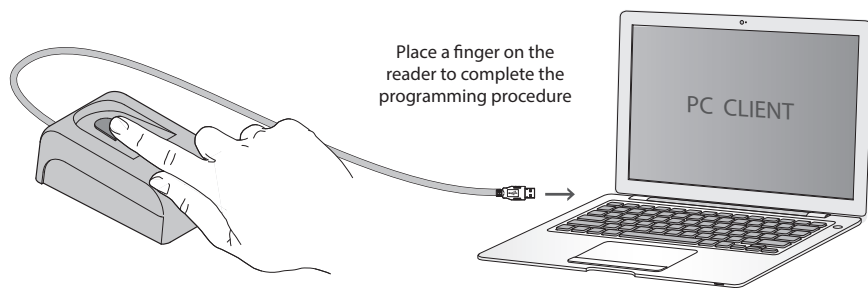


Dimensional data and description



1. USB cable
2. Fingerprint acquisition surface



Configuration

The device must be configured by software. For software download, installation device documentation and for any other information, refer to the website.



www.homesystems-legrandgroup.com

Warnings and consumer rights



Read carefully before use and keep for future reference

- Touching the units with wet hands is forbidden
- Using liquid cleaners or aerosols is forbidden
- Blocking the ventilation openings is forbidden
- Modifying the devices is forbidden
- Removing protective parts from the devices is forbidden
- Installing the units near liquids and powders is forbidden
- Installing the units near heat sources is forbidden
- Installing the units near harmful gases, metal dusts or similar is forbidden
- Fastening the units on unsuitable surfaces is forbidden



Caution: Installation, configuration, starting-up and maintenance must be performed exclusively by qualified personnel.